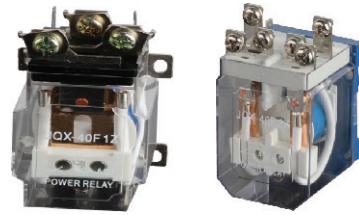


**ARTICLE CODE**

**S25 2C DC12V**

**S25(JQX-40F) Series**



Coil Voltage  
6~110VDC  
6~220VAC

Contact Ratings  
1C,1A,1B,2C,2A,2B

Model Name:S25

**Main Features:**

- With open type, dust-proof cover type.
- Screw terminal fixed mounting.

**PERFORMANCE(at initial value )**

| Item  | Type | 1C,1A,1B   | 2C,2A,2B                |
|---|------|--|-------------------------|
| Contact Resistance  |      | 100mΩ Max.(Initial Value)  |                         |
| Operate Time  |      | 25msec Max.  |                         |
| Release Time  |      | 15msec Max.  |                         |
| Pull In Voltage(VDC)  |      | DC:75%Max,AC:80%Max  |                         |
| Drop Out Voltage(VDC)   |      | DC:10%Max,AC:30%Max  |                         |
| Max. Allowable Voltage(VDC)   |      | 110%Max  |                         |
| Coil Nominal Voltage  |      | DC:6V,9V,12V,24V,36V,48V,110V,220V<br>AC:6V,9V,12V,24V,36V,48V,110V,220V |                         |
| Power Consumption(W)  |      | DC:2.0W<br>AC:6.5VA  |                         |
| Dielectric Strength<br>between Coil & Contact<br>between Contact<br>between Contact |      | 2500VAC (1min)<br>1500VAC (1min)<br>1500VAC (1min)                       |                         |
| Insulation Resistance   |      | 1000MΩ Min.(DC500V)  |                         |
| Operating Ambient Temperature   |      | -40℃ ~+70℃   |                         |
| Humidity  |      | 35 to 80% RH   |                         |
| Rated Carrying Current  |      | 50A/250VAC<br>50A/30VDC  | 40A/250VAC<br>40A/30VDC |
| Vibration Resistance  |      | 10G(10~55Hz) (Dual Amplitude:1.0mm)                                      |                         |
| Shock Resistance  |      | 10G  |                         |
| Life Expectancy<br>Mechanically<br>Electrically                                     |      | 10,000,000 ops.Min.(18000 ops./h)<br>100,000 ops.Min.(1800 ops./h)       |                         |
| Weight  |      | 160g(approx.)  |                         |

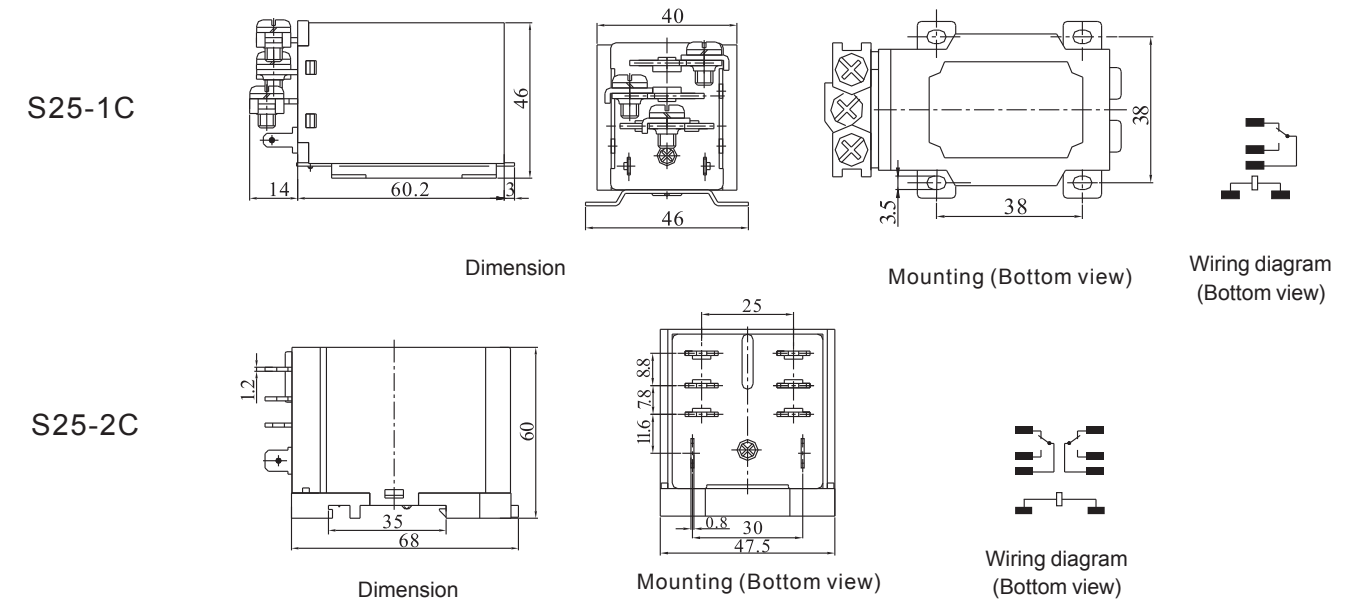
**COIL RATING(at 20℃)**

|    | Nominal Voltage (VDC) | Coil Resistance (Ω)(±10%) | Power Consumption(W) | Nominal Current (mA)(±10%) | Pull In Voltage (VDC) | Drop Out Voltage (VDC) | Max. Allowable Voltage (VDC) |
|----|-----------------------|---------------------------|----------------------|----------------------------|-----------------------|------------------------|------------------------------|
| DC | 6V                    | 20Ω                       | 2.0W                 | 300.0mA                    | 75% MAX               | 10% MIX                | 110%                         |
|    | 12V                   | 45Ω                       |                      | 266.7mA                    |                       |                        |                              |
|    | 24V                   | 320Ω                      |                      | 75.0mA                     |                       |                        |                              |
|    | 48V                   | 1280Ω                     |                      | 37.5mA                     |                       |                        |                              |
|    | 60V                   | 2800Ω                     |                      | 21.4mA                     |                       |                        |                              |
|    | 110V                  | 9650Ω                     |                      | 11.4mA                     |                       |                        |                              |

|      | Nominal Voltage (VAC) | Coil Resistance (Ω)(±10%) | Power Consumption(VA) | Pull In Voltage (VAC) | Drop Out Voltage (VAC) | Max. Allowable Voltage (VAC) |
|------|-----------------------|---------------------------|-----------------------|-----------------------|------------------------|------------------------------|
| AC   | 6V                    | 2.0Ω                      | 6.5VA                 | 80% MAX               | 30% MIX                | 110%                         |
|      | 9V                    | 4.4Ω                      |                       |                       |                        |                              |
|      | 12V                   | 7.8Ω                      |                       |                       |                        |                              |
|      | 18V                   | 17.5Ω                     |                       |                       |                        |                              |
|      | 24V                   | 31.0Ω                     |                       |                       |                        |                              |
|      | 48V                   | 124Ω                      |                       |                       |                        |                              |
|      | 110V                  | 650Ω                      |                       |                       |                        |                              |
| 220V | 2600Ω                 |                           |                       |                       |                        |                              |

**OUTLINE DIMENSION,WIRING DIAGRAM & PC BOARD LAYOUT**

Unit: mm



Remark: 1) In case of no tolerance shown in outline dimension: outline dimension ≤1mm, tolerance should be ±0.2mm; outline dimension >1mm and ≤5mm, tolerance should be ±0.3mm; outline dimension >5mm, tolerance should be ±0.4mm.  
2) The tolerance without indicating for PCB layout is always ±0.1mm.

**WIRING DIAGRAMS(Bottom View)**

