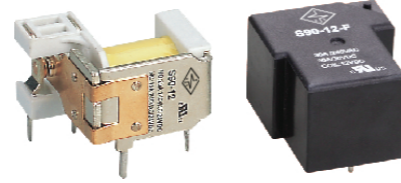


ARTICLE CODE

S90 - 12 A - F

S90 Series



F: Sealed Type
 Nil: Open Type
 Nil: 1C
 A: 1A
 B: 1B
 Coil Voltage
 5,6,9,12,18,24,48 VDC
 Model Name: S90

Main Features:

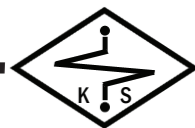
- European and American footprints both are available
- Open type, flux free, and sealed type
- Special design for automotive car alarm applications.

COIL RATING(at 20°C)

Nominal Voltage (VDC)	Coil Resistance (Ω)(±10%)	Power Consumption(W)	Nominal Current (mA)(±10%)	Pull In Voltage (VDC)	Drop Out Voltage (VDC)	Max. Allowable Voltage (VDC)
5V	28 Ω	0.9W	178.6mA	75% MAX	10% MIX	130%
6V	40 Ω		150.0mA			
9V	90 Ω		100.0mA			
12V	160Ω		75.0mA			
18V	360Ω		50.0mA			
24V	640Ω		37.5mA			
48V	2560Ω		18.8mA			

PERFORMANCE(at initial value)

Item	Type	30A	40A
Contact Resistance		50mΩ	Max.(Initial Value)
Operate Time		15msec Max.	
Release Time		10msec Max.	
Dielectric Strength between Coil & Contact between Contact		2500VAC(1min) 1500VAC(1min)	
Insulation Resistance		100MΩ Min.(DC500V)	
Operating Ambient Temperature		-40°C ~ +110°C	
Humidity		35 to 85% RH	
Vibration Resistance		10G(10~55Hz) (Dual Amplitude:1.5mm)	
Shock Resistance		10G	
Life Expectancy Mechanically Electrically		10,000,000 ops.Min.(1800 ops./h) 100,000 ops.Min.(1200 ops./h)	
Weight		27g	30g(approx.)

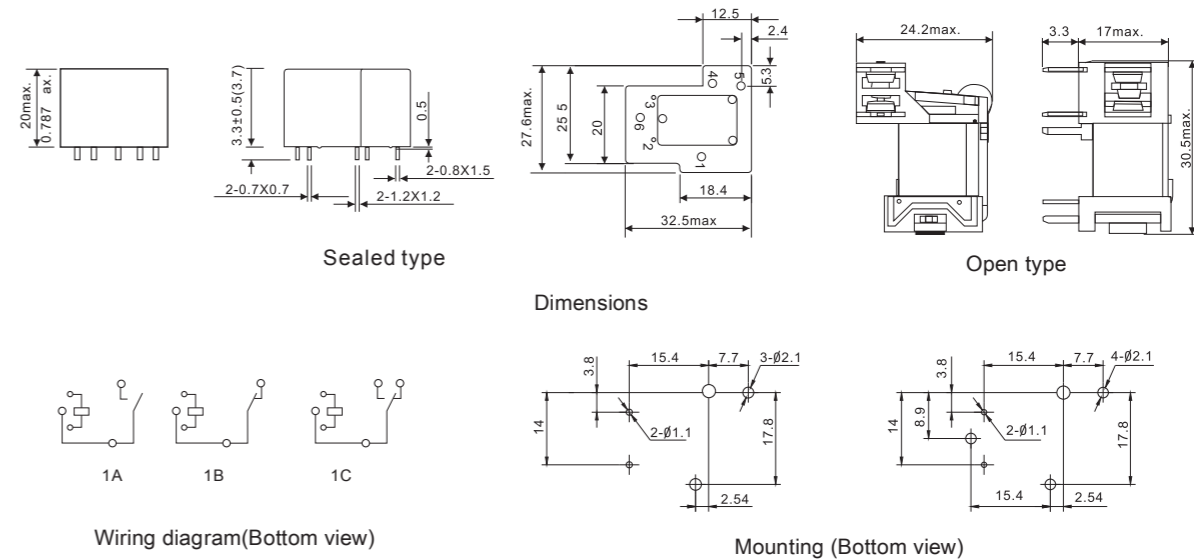


CONTACT RATING

Item	Type	30A	40A
Rated Carrying Current		30A/240VAC 30A/30VDC	40A/240VAC 40A/30VDC
Max. Allowable Current		30A	40A
Max. Allowable Voltage		110VDC 250VAC	110VDC 250VAC
Max. Current(Continual)		30A	40A
Min. Load		10VDC 10mA	
Contact Material		Ag alloy	

OUTLINE DIMENSION, WIRING DIAGRAM & PC BOARD LAYOUT

Unit: mm



Remark: 1) In case of no tolerance shown in outline dimension: outline dimension ≤1mm, tolerance should be ±0.2mm; outline dimension > 1mm and ≤5mm, tolerance should be ±0.3mm; outline dimension > 5mm, tolerance should be ±0.4mm.
 2) The tolerance without indicating for PCB layout is always ±0.1mm.

CHARACTERISTIC CURVES

